

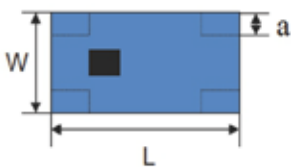
Product

LA31H2450-A44

Specification

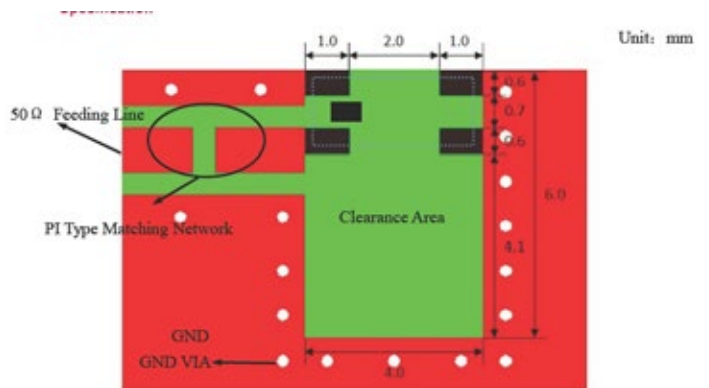
Frequency Range	2400MHz~2500MHz
V.S.W.R	$\leq 2.0$
Impedance	50 $\Omega$
Gain	3.84dBi
Azimuth	Omni-directional
Polarization	Linear
Impedance	50 $\Omega$
Azimuth Beam width	Omni-directional

Dimension (mm)

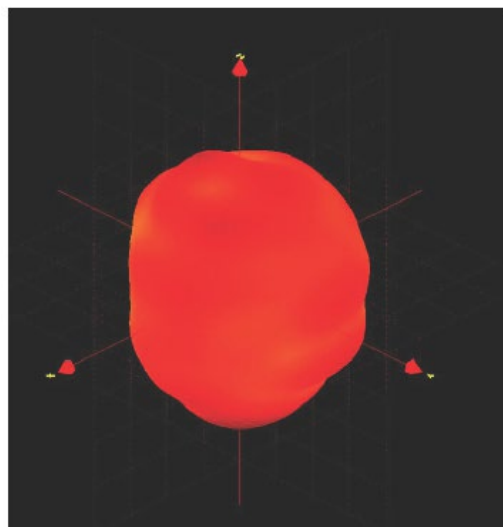


L: 3.2 +/- 0.2  
W: 1.6 +/- 0.2  
T: 1.2 +/- 0.2

a: 0.3 +/- 0.2  
b: 0.5 +/- 0.2



Performance



Test Graph

