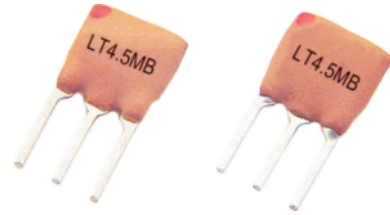


Ceramic Filters

LT..MB Series For TV /VCR Stage, 4.5~6.5MHz Ceramic Filters

Features

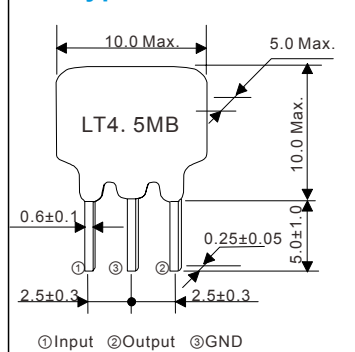
- Excellent spurious suppression characteristics within video signal band
- Available 4 pass bandwidth variation to meet various requests
- Low profile (H = 10.0mm max.)
- Applications: *TV, VCR Stage, etc*



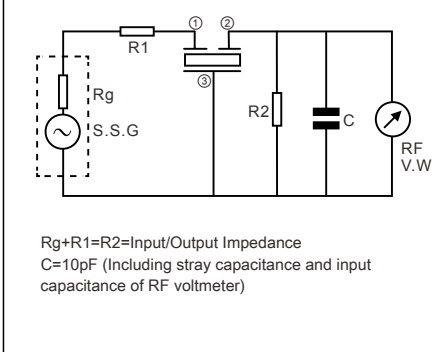
Standard Specifications

Part Number	Center Frequency (MHz)	3dB Band Width (KHz) Min	20dB Band Width (KHz) Max.	Insertion Loss (dB) Max.	Spurious Attenuation (9-12MHz) (dB) Min	Input /Output Impedance (Ω)
LT4.5MB	4.500	$f_0 \pm 60$	530	6.0	20(4.5 ^{+0.8} _{-1.0} MHz)	1000
LT5.5MB	5.500	$f_0 \pm 75$	550	6.0	25(5.5 \pm 1MHz)	600
LT6.0MB	6.000	$f_0 \pm 80$	600	6.0	25(6.0 \pm 1MHz)	470
LT6.5MB	6.500	$f_0 \pm 80$	630	6.0	25(6.5 \pm 1MHz)	470

DIP Type Dimensions



Test Circuit



Characteristics

