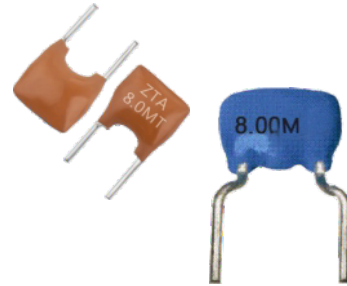


Features

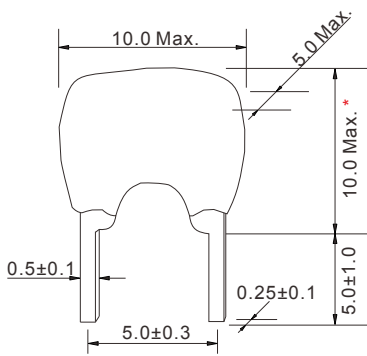
- All (ZTA) are epoxy coated and completely washable
- Resistant to damage from impact and vibration
- Low cost
- Excellent temperature stability ( $\pm 0.3\%$ )
- DIP type package.
- Applications: *Security, Consumer Device, TV, Radio, Receiver, etc.*



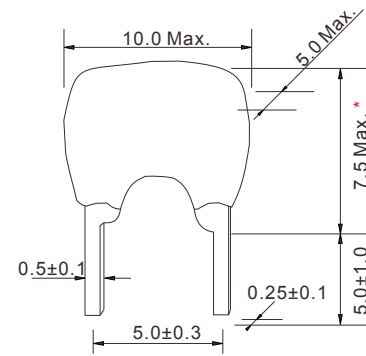
Standard Specifications

Part Number	Frequency Range (MHz)	Frequency Accuracy (at 25° C)	Frequency Stability	Operating Temperature	Aging for Ten Years (%)
ZTA...MG	1.79~6.00	$\pm 0.5\%$	$\pm 0.3\%$	-20~+80°C	$\pm 0.3$
ZTAWS...MG	1.79~6.00	$\pm 0.5\%$	$\pm 0.3\%$	-20~+80°C	$\pm 0.3$
ZTALS...MG	3.00~8.00	$\pm 0.5\%$	$\pm 0.3\%$	-20~+80°C	$\pm 0.3$
ZTARS...MG	3.00~10.00	$\pm 0.5\%$	$\pm 0.3\%$	-20~+80°C	$\pm 0.3$
ZTA...MT	6.00~13.00	$\pm 0.5\%$	$\pm 0.3\%$	-20~+80°C	$\pm 0.3$
ZTA...MX	12.00~60.00	$\pm 0.5\%$	$\pm 0.3\%$	-20~+80°C	$\pm 0.3$

Dimensions [mm]

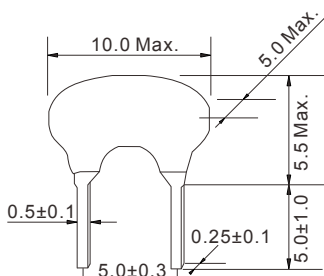


ZTA...MT

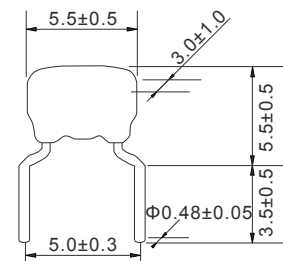


ZTALS...MG

\* MG: 7.5 Max.  
 MT: 10.0 Max.  
 MX: 32~60MHz 6.5Max.  
 24~32MHz 7.5Max.  
 12~24MHz 10.0Max.



ZTAWS



ZTARS