

Features

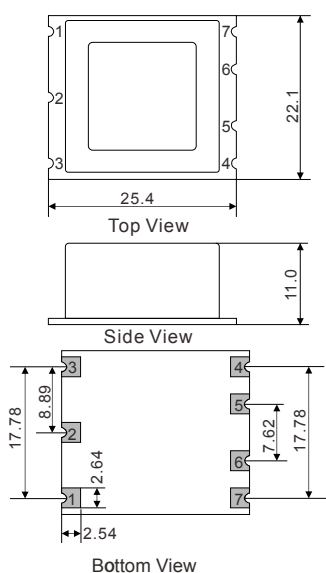
- Dimension 25.4×22.1×11.0mm
- Frequency range from 5MHz to 40MHz
- SC cut crystal
- Automatic mounting and reflow soldering
- Low phase noise
- Applications: *Base station, Synthesizer, Test and Measuring Equipment, etc*
- RoHS Compliant & Pb Free



Standard Specifications

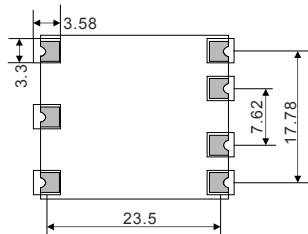
Type		5X Series SMD OCXO
Output Type		HCMOS
Output Load		15pF, or specify
Output Wave Form		Rectangular
Frequency Range		5~40MHz
Supply Voltage		3.3V/5.0V
Operating Temperature		-30~+70°C, or specify
Frequency Stability	Tolerance	±10ppb
	vs Temperature	±5ppb~±20ppb
	vs Supply Voltage	±0.5ppb Max.
	vs Aging	±0.5ppb/Days, ±50ppb/Year, ±0.4ppm/10 Years Max.
Voltage Vol(Max.) / Voh (Min.)		0.1Vcc/0.9Vcc Max.
Duty Cycle		45~55%
Spurious		-60dBC Max.
Warm-up		±10ppb (In 5 minutes @25°C, referenced to 1 hour)
Power Consumption (Steady state)		1.2W Max.
Frequency Adjustment Range		±0.5ppm (+1.65±1.65V/+2.5±2.5V)
Phase Noise	@10Hz	-115dBc/Hz Max.
	@100Hz	-130dBc/Hz Max.
	@1KHz	-140dBc/Hz Max.
	@10KHz	-150dBc/Hz Max.

Dimensions [mm]



Pin Connections

Pin No.	Connection
1	Vco Input / NC
2	Reference Voltage / NC
3	Vcc
4	R.F. Output
5	Oven monitor / NC
6	NC
7	0 Volts & Case



Top View Suggested Layout