

VCXO (Voltage Controlled Crystal Oscillator)

Thru-hole half size VCXOs

6RH Series Thru-hole VCXOs

Features

- All metal welded package.
- Frequency range from 1MHz up to 80MHz.
- 5V/3.3V operating voltage.
- CMOS output.
- 3-state function.
- 8-Pin DIP(Full-Size Package)
- Applications: communications,Avionics, Test equipments,Electronic instruments,etc.
- RoHS Compliant /Pb Free.

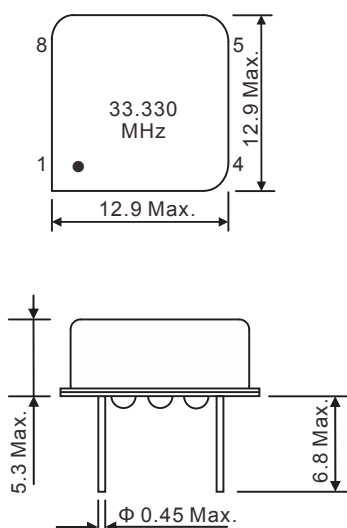


Standard Specification

Item /Type		6RH (6RH Thru-Hole VCXOs)	
Output Type		CMOS	
Supply current		40mA Max.	60mA Max.
Supply Voltage		3.3V	5.0V
Frequency Range		1~80 MHz	
Frequency Stability		±25ppm, ±50ppm	
Operating Temperature Range		-20~+70°C, -40~+85°C , or specify	
Storage Temperature Range		-55~+125°C	
Load		15pF	
	Voltage Voh	3.0V Min.	4.5V Min.
	Voltage Vol	0.3V Max.	0.4V Max.
	Current Ioh	-4.0mA.	-8.0mA.
	Current Iol	4.0mA.	8.0mA.
	Duty Cycle	40/60 Max.	
	Rise/Fall time	5ns Max.	
Frequency Control		Positive Transfer Characteristic	
	Pullability	±50ppm ,±100ppm,±150ppm,±200ppm Min.	
	Control Voltage	0.3Vdc to 3.0Vdc	0.5Vdc to 4.5Vdc
	Center Voltage	1.65Vdc	2.5Vdc
	Monotonic Linearity	< ±15%	
	Input impedance	50K ohms Normal	50K ohms Normal

*APR=(Pull Range)-(Frequency tolerance at 25°C,variation over temperature,supply voltage variation,and aging.)

Dimensions [mm]



Pin Connections

Pin No.	Connection
1	OE
4	GND
5	Output
8	Vdd

