

Features

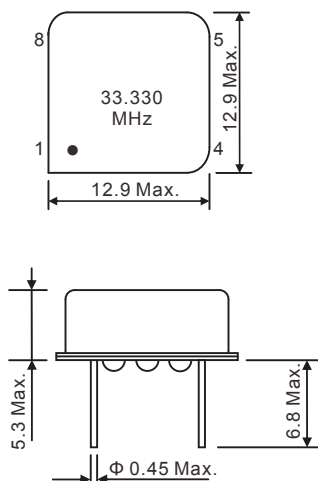
- All metal welded package
- Frequency range from 0.25MHz to 180MHz
- Voltage operation: 3.3V / 5.0V
- DIP-8 4-pin through-hole package
- 3-state function
- High precision and high stability
- Applications: *Test Equipment, Avionics, Electronic Instrumentation, Communication, etc.*
- RoHS Compliant & Pb Free



Standard Specifications

Type	6MH DIP-8 Crystal Oscillator
Output Type	CMOS
Output Load	15pF, or specify
Supply Voltage	3.3V / 5.0V
Frequency Range	0.25~180 MHz
Supply Current	50mA Max.
Frequency Stability	±25ppm, ±30ppm, or specify
Operating Temperature	-40~+85°C, or specify
Storage Temperature	-55~+125°C
Voltage Vol (Max.) /Voh (Min.)	0.1VDD / 0.9 VDD
Rise (Tr) /Fall (Tf) Time	5ns Max.
Period Jitter	40 pSec Max.
Duty Cycle	40~60%
Start-up Time	10ms Max.
Phase Jitter (12KHz~20MHz)	1ps Max.
Aging (at 25°C)	±3ppm /Year Max.
Packing Units	100pcs.

Dimensions [mm]



Pin Connections

Pin No.	Connection
1	OE (Output Enable)
4	GND
5	Output
8	Vdd

